



■ Features :

- True sine wave output (THD<3%)
- High surge power up to 3000W
- U.P.S. mode and energy saving mode (selectable)
- High efficiency up to 91%
- Power ON-OFF switch
- Standby saving mode can be selectable
- Front panel indicator for operation status
- Thermostatically controlled cooling fan
- Protections: Bat. low alarm / Bat. low shutdown / Over voltage / Over temp. / Output short / Input polarity reverse / Overload / AC circuit breaker
- Application : Home appliance, power tools, office and portable equipment, vehicle and yacht ...etc.
- Built-in solar / AC charger
- Computer-based monitoring software (Note.7)
- 3 years warranty



SPECIFICATION

MODEL	TN-1500-112□	TN-1500-124□	TN-1500-148□	TN-1500-212□	TN-1500-224□	TN-1500-248□		
OUTPUT	RATED POWER (Typ.) 1500W							
	MAXIMUM OUTPUT POWER (Typ.) 1725W for 180 sec. / 1875W for 10 sec. / surge power 3000W for 30 cycles							
	AC VOLTAGE			Factory setting set at 110VAC			Factory setting set at 230VAC	
	100 / 110 / 115 / 120VAC selectable by setting button S.W			200 / 220 / 230 / 240VAC selectable by setting button S.W				
	FREQUENCY 60±0.1Hz 50/60Hz selectable by setting button S.W							
	WAVEFORM Note.2 True sine wave (THD<3%) at rated input voltage							
	AC REGULATION (Typ.) ±3.0%							
	TRANSFER TIME (Typ.) 10ms inverter → by pass							
INPUT	SAVING MODE (Typ.) Default disabled. Load ≤5W will be changed to standby mode							
	FRONT PANEL INDICATOR Battery voltage level, output load level, saving mode, fault and operation status							
	BAT. VOLTAGE		12V	24V	48V	12V	24V	48V
	VOLTAGE RANGE (Typ.) Note.3,6		10.5 ~ 15VDC	21 ~ 30VDC	42 ~ 60VDC	10.5 ~ 15VDC	21 ~ 30VDC	42 ~ 60VDC
	DC CURRENT (Typ.) Note.5		150A	75A	37.5A	150A	75A	37.5A
	NO LOAD DISSIPATION ≤18W @ standby saving mode							
	OFF MODE CURRENT DRAW ≤1mA							
	EFFICIENCY (Typ.) Note.2		87%	89%	89%	88%	90%	91%
BATTERY TYPES Open & sealed Lead Acid								
BATTERY INPUT PROTECTION	FUSE		40A*5	30A*3	30A*2	40A*5	30A*3	30A*2
	BAT. LOW ALARM		11.3±4%	22.5±4%	45±4%	11.3±4%	22.5±4%	45±4%
	BAT. LOW SHUTDOWN		10.5±4%	21±4%	42±4%	10.5±4%	21±4%	42±4%
	REVERSE POLARITY By internal fuse open							
OUTPUT PROTECTION	OVER TEMPERATURE		82°C ±5°C	82°C ±5°C	96°C ±5°C	68°C ±5°C	68°C ±5°C	68°C ±5°C
	Protection type : Shut down o/p voltage, re-power on to recover ; by internal RTH3 detect on heatsink of power transistor							
	OUTPUT SHORT Protection type : Shut down o/p voltage, re-power on to recover							
	OVER LOAD (Typ.) 105 ~ 115% load for 180 sec., 115% ~ 125% load for 10 sec. Protection type : Shut down o/p voltage, re-power on to recover							
	CIRCUIT BREAKER		20A			10A		
GFCI PROTECTION Optional (Only type F) None								
ENVIRONMENT	WORKING TEMP. Note.1		0 ~ +40°C @ 100% load ; 60°C @ 50% load					
	WORKING HUMIDITY 20% ~ 90% RH non-condensing							
	STORAGE TEMP., HUMIDITY -30 ~ +70°C / -22 ~ +158°F, 10 ~ 95% RH							
	VIBRATION 10 ~ 500Hz, 3G 10min./1cycle, 60min. each along X, Y, Z axes							
SAFETY & EMC	SAFETY STANDARDS UL458 (only for "GFCI" receptacle-Type F) None							
	LVD			None			EN60950-1	
	WITHSTAND VOLTAGE Bat I/P - AC I/P:3.0KVAC Bat I/P - AC O/P:3.0KVAC AC O/P - FG:1.5KVAC							
	EMC EMISSION			Compliance to FCC class A			Compliance to EN55022 class B, 72/ 245/ CEE, 95/ 54/ CE, E-Mark	
	EMC IMMUNITY			None			Compliance to EN61000-4-2,3,4,5,6,8,11	
AC CHARGER	CHARGE CURRENT (Typ.)		5.5A	2.7A	1.35A	5.5A	2.7A	1.35A
	CHARGE VOLTAGE		14.3V ±4%	28.5V ±4%	57V ±4%	14.3V ±4%	28.5V ±4%	57V ±4%
SOLAR CHARGER	MAX OPEN CIRCUIT VOLTAGE		25V	45V	75V	25V	45V	75V
	CHARGE CURRENT (max.)		30A					
OTHERS	CHARGE VOLTAGE		14.3V ±4%	28.5V ±4%	57V ±4%	14.3V ±4%	28.5V ±4%	57V ±4%
	CONTROL WIRING Note.7 RJ11 -RS232							
NOTE	DIMENSION 420*220*88mm (L*W*H)							
	PACKING 6.85Kg; 2pcs/15.7Kg/1.61CUFT							

File Name:TN-1500-SPEC 2014-12-10

Specifications are subject to change without notice. It is responsibility of each customer to thoroughly test each product and part number under their unique parameters and environments to ensure a product will work properly and reliably.

Click below for more details, to buy on-line or request volume pricing:

<http://power.sager.com/mean-well-TN-1500-power-supply.html>

(866) 588-1750
power@sager.com
<http://power.sager.com>

■ **Instructions for TN-1500 monitoring software**

1. The monitoring software can be downloaded from product section (with TN-1500 specification) on MEAN WELL's official website, <http://www.meanwell.com>
2. The monitoring software can run on Windows 7 English version, Windows 7 Chinese (Traditional, Taiwan) version, Windows 8 English version and Windows 8 Chinese (Traditional, Taiwan) version
3. Installation of TN-1500 unit and PC

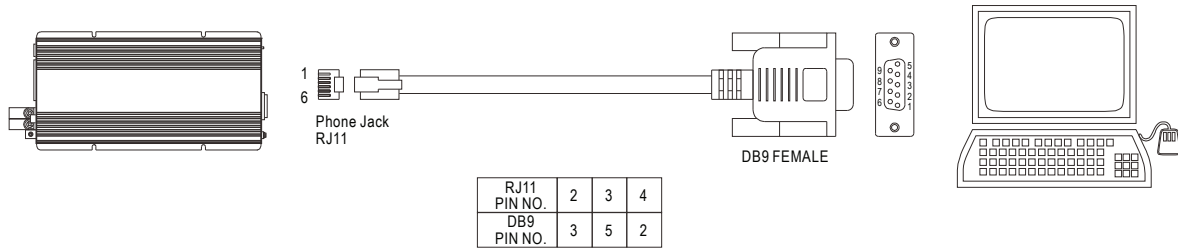


Figure 1

4. Explanation of Monitoring Manu

4.1 Main Page

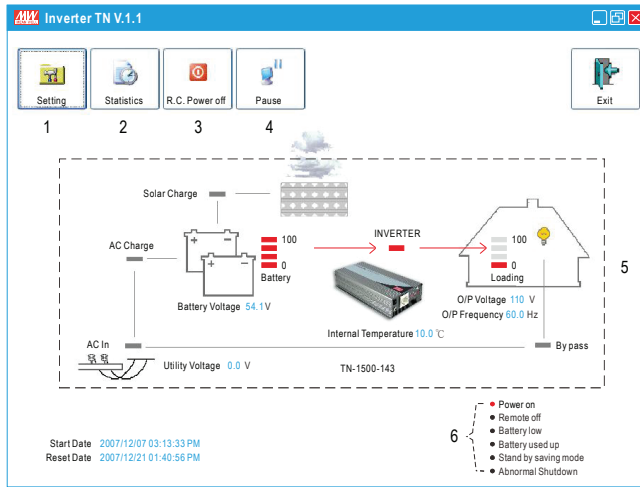


Figure 2

1. Setting: Adjustment for output voltage, charging related voltage, frequency, and operation mode. Please refer to Figure 3 for details.
2. Statistics: Calculate for the percentage of operating period for each operation mode. Please refer to Figure 4 for details.
3. R.C. Power off: Power can be turned ON or OFF at the remote location.
4. Pause: Stop refreshing the page of monitoring software.
5. Status of unit: Indicating current operating status of TN-1500.
6. Signals that display current condition of the unit.

File Name:TN-1500-SPEC 2014-12-10

4.2 Setting Page

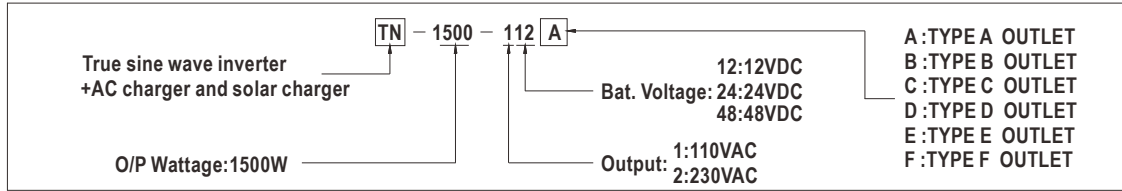
Figure 3

1. User can adjust the settings based on the characteristics of batteries been used: Equalization Voltage, Floating Voltage, Alarm Voltage, and Shut-down Voltage. UPS Mode / Energy Saving Mode selection and AC output voltage and frequency can also be set in this page.
2. Read: Read current settings of the unit.
3. Write: Write the revised setting into the unit.
4. Load: Load in factory default settings.

4.3 Statistic Page

Figure 4

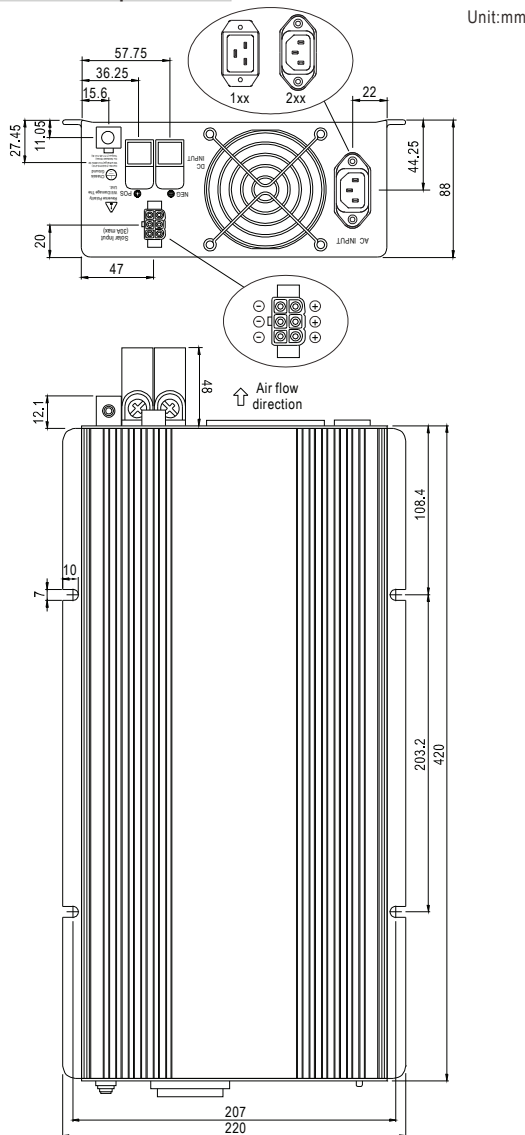
1. Start Date: Date that installing the monitoring software.
2. Reset Date: Date that resetting the statistics. The Start Date will not be influenced by resetting the statistics or turning off the unit.
3. Inverter time rate: Operating period of "Inverter Mode" represents how many percent of the whole operating period.
4. Bypass time rate: Operating period of "Bypass Mode" (energy provides directly by the utility) represents how many percent of the whole operating period.
5. Shut down rate: Percentage of time period that the unit is under the condition of shut down.
* **Inverter time rate + Bypass time rate + Shut down rate = 100%**
6. Solar time rate: Percentage of time period that the solar charger is functioning after turning on the TN-1500 unit.
7. Loading average: Average loading after turning on the TN-1500 unit.



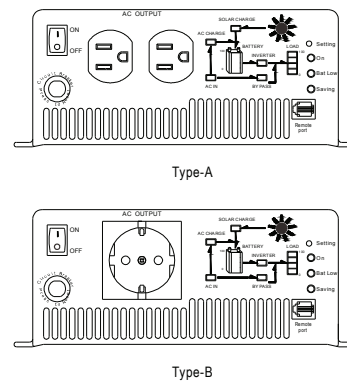
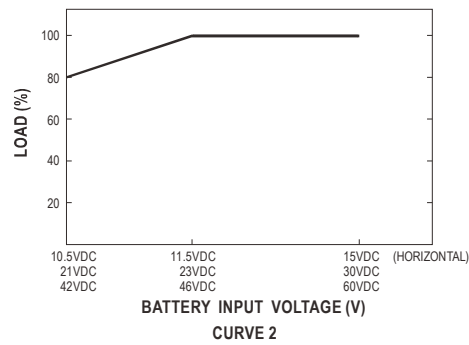
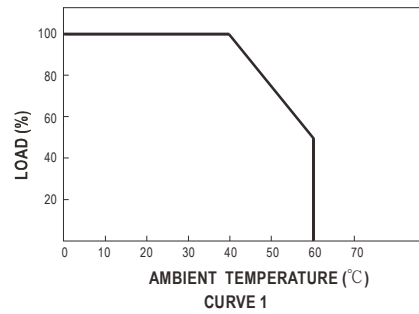
■ AC Output Receptacles (optional)

Receptacle type						
	TYPE-A	TYPE-B	TYPE-C	TYPE-D	TYPE-E	TYPE-F
Country	USA	EUROPE	AUSTRALIA	U.K	JAPAN	GFCI
Certificate	FC	E13 CE	E13 CE	E13 CE	FC	cUL US FC (Equal for 48V input)

■ Mechanical Specification



■ Derating Curve



File Name: TN-1500-SPEC 2014-12-10

Specifications are subject to change without notice. It is responsibility of each customer to thoroughly test each product and part number under their unique parameters and environments to ensure a product will work properly and reliably.

Click below for more details, to buy on-line or request volume pricing:
<http://power.sager.com/mean-well-TN-1500-power-supply.html>

(866) 588-1750
power@sager.com
<http://power.sager.com>