

SPECIFICATIONS

Solar Panel Qty: 3

Total: 975W

MECHANICAL CHARACTERISTICS <small>BenQ or Equivalent</small>	
Dimensions (L x W x H)	1559 x 1046 x 46 mm (61.38" x 41.18" x 1.81")
Weight	41.0 lbs / 18.6 kg
Cell	21.5% efficiency
Frame	Anodized aluminum frame
ELECTRICAL DATA	
Typ. Nominal Power P_N	325W
Typ. Module Efficiency	19.9%
Typ. Nominal Voltage V_{mp} (V)	54.7
Typ. Nominal Current I_{mp} (A)	5.94
Typ. Open Circuit Voltage V_{oc} (V)	64.9
Typ. Short Circuit Current I_{sc} (A)	6.39
OPERATING CONDITIONS	
Operating Temperature	-40 ~ +80 °C / 176 °F
Max. System Voltage IEC/UL	1000V / 1000V

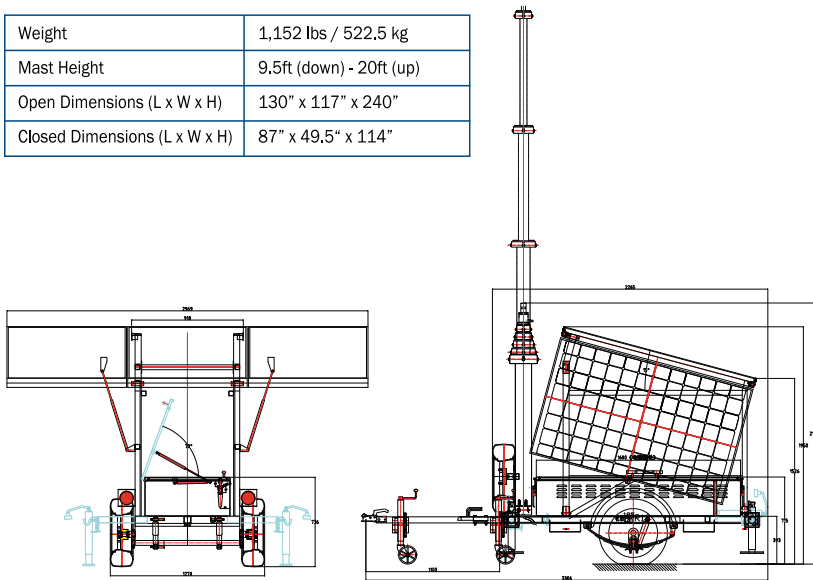
LED Flood Light Qty: 2 or 4

Total: 200W or 400W

MECHANICAL CHARACTERISTICS <small>Leotek ND Series</small>	
Power Input (W)	100
Input Voltage (V)	110 ~ 220
Weight	12 lbs / 5.5 kg
CRI (%)	≥ 70
CCT (K)	5,000
Luminous Flux (lm)	10,000
Dimensions (L x W x H)	377 x 296 x 147 mm (12.25" x 11.65" x 5.78")

Solar Trailer Structure Diagram

Weight	1,152 lbs / 522.5 kg
Mast Height	9.5ft (down) - 20ft (up)
Open Dimensions (L x W x H)	130" x 117" x 240"
Closed Dimensions (L x W x H)	87" x 49.5" x 114"



Lead Calcium Battery Qty: 4

Total: 840Ah

MECHANICAL CHARACTERISTICS <small>MK Battery</small>	
Nominal Voltage (V)	12V
Dimensions (L x W x H)	527 x 214 x 275 mm (20.73" x 8.44" x 10.82")
Capacity at C/100	210Ah
Capacity at C/20	183Ah
Weight	126.6 lbs. / 57.5 kg
Plate Alloy	Lead Calcium
Posts	Forged Terminals & Bushings
Container/Cover	Polypropylene
Operating Temperature Range	-76 °F (-60 °C) - 140 °F (60 °C)
Made in the USA by East Penn Manufacturing Co, Inc.	

Power Inverter Qty: 1

1500W

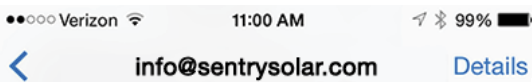
OUTPUT <small>TN - I500 - I48</small>	
Rated Power (Typ.)	1500W
Maximum Output Power (Typ.)	1725W for 180 sec. / surge power 3000W / 30 cycles
AC Voltage	100 / 110 / 115 / 120VAC selectable
INPUT	
Bat. Voltage	48V
Voltage Range (Typ.)	42 ~ 60VDC
DC Current (Typ.)	37.5A
Efficiency (Typ.)	89%
Over Temperature	96°C ± 5°C / 204°F ± 41°F Protection type: Shut down o/p voltage, re-power on to recover
Circuit Breaker	20A
Working Temp.	0 ~ +40°C / 104°F @ 100% load; 60°C / 140°F @ 50% load
Max Open Circuit	75V
Voltage	30A



Main Panel:
Battery, Power Inverter & Switch



Timer & Switch Panel
w/ Battery Fuel Gauge



System: Panel was Armed Away by John Smith at 11:16 pm on Saturday, Aug 29.

Burglar Alarm w/ Real-Time Text Message Alerts

Solar Trailer Demo system: The Panel reported a Power Failure at 4:46 pm on Saturday, Aug 29.

Solar Trailer Demo system: Main Panel Door- Local was left open at 9:10 am on Tuesday, Sep 1.

Solar Trailer Demo System: Panel was Disarmed by Sentry Service Tech at 6:53 am on Sunday, Aug 30.

- Arm & Disarm
- Power: Lost & Restored
- Panel Door Open or Left Open
- Open & Close Report
- And Many More...
- ★ With Verizon CDMA Gateway Module